

Introduction:

Wall Spouts are an easy and elegant way to add the sight and sound of water to vertical surfaces. Wall Spouts are designed for use in formal water features utilizing either enclosed or open basins. The solid brass construction with oil rubbed bronze and antique copper finishes will provide you with years of lasting enjoyment.

Prior to Operation and Installation

Caution:

- DO NOT operate this product under any conditions other than those for which it is specified. Failure to observe these precautions can lead to product failure or other problems
- Follow all aspects of electrical codes installing the Wall Spouts. A grounding lug is provided if required by code
- Wall Spouts are constructed of solid brass and will patina over time as the oil rubbed bronze finish wears away. This process will be accelerated if Wall Spouts are used with chlorinated water

Wall spouts should protrude at least 2" over the catch basin. Over time, mineral deposits will form on the edge of any spout, causing the water to roll backwards and eventually down the wall. The integrated drip edge on Atlantic Wall spouts ensure that any drips fall straight down, eliminating stains and leak concerns. If persistent dripping develops from the drip edge, apply a thin layer of petroleum jelly to the front edge of the Spout. The petroleum jelly will temporarily break the surface tension between the water and the mineral deposits, allowing for smooth flow.

Installation

Supply water to individual spouts through a 1/2" PVC feed line run vertically behind the wall and a 1/2" pipe stub run horizontally through the wall. (Figure 1). If installing an optional SOL-WSL2/SOLCCSL2 Spout Light to illuminate the water flow, a 1/2" tee with a 1/2" x 1" female threaded bushing must be installed to accept the Spout Light. (Figure 2).

Figure 1

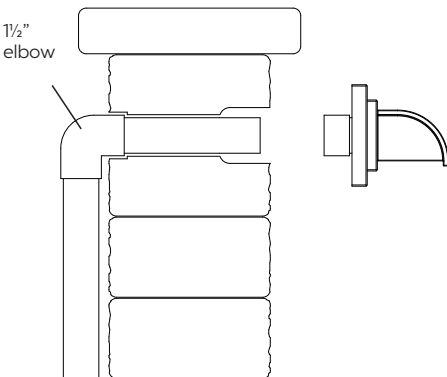
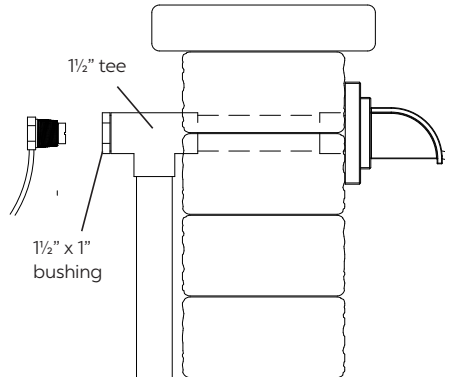


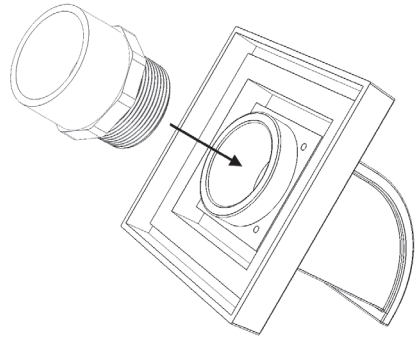
Figure 2



NOTE: Wall spouts can operate in a flow range between 250 and 1000 gallons per hour, however, a minimum flow of 600 gph is required when installing a Spout Light. Flow rates under 600 gph will not transmit the lighted water effectively.

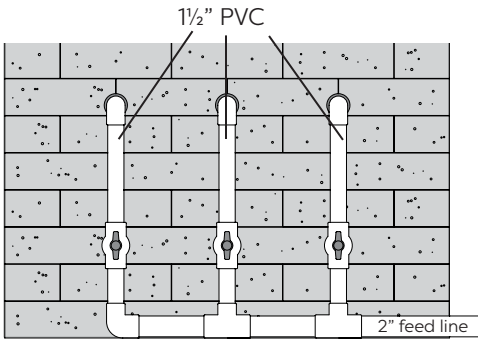
All fittings and pipe stubs should be dry fit before final installation. It is recommended to fully tighten a 1½" male thread adaptor (MTA) to the spout, then glue the MTA to the horizontal feed line while holding the spout level. This will ensure the threads on the MTA are properly oriented. Small adjustments can be made to level the spout after the glue sets.

Figure 3



When plumbing multiple spouts using one pump, run a main feed line along the back of the wall, teeing up to the individual spouts (see Figure 4). If plumbing multiple spouts at the same height, individual ball valves are not needed. If the spouts vary in height, it is best to install a ball valve in each line feeding the spouts to provide more control over the flow. When running more than three spouts, the main feed line should be increased to at least 2".

Figure 4



Maintenance:

Depending on water conditions, Wall Spouts may require periodically cleaning. Turn the pump off and remove any large obstructions that may be present. Wipe down the interior of the spout with a non-abrasive cloth. A mild cleaning solution intended to remove calcium and lime can be used if deposits from hard water are present.

Warranty:

Wall Spouts carry a three-year limited warranty. This limited warranty is extended solely to the original purchaser commencing from the date of the original purchase receipt and is void if any of the following apply:

- The Wall Spout has been misused or abused.
- The Wall Spout has been disassembled or modified other than as described in this manual.

This warranty excludes labor/costs of labor for removal or installation of any product.